

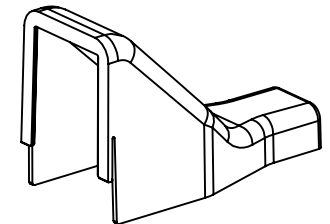
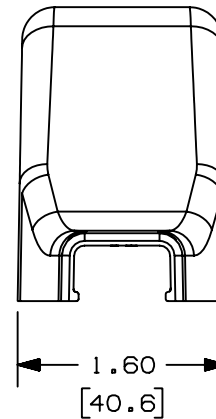
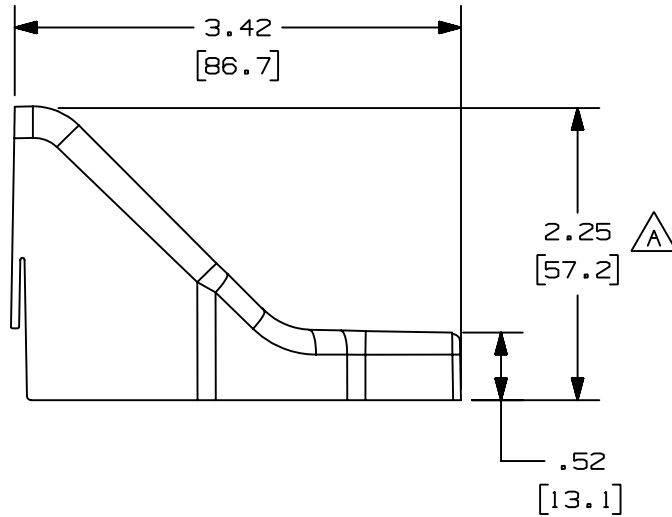
THIS COPY IS PROVIDED ON A RESTRICTED BASIS AND IS NOT TO BE USED IN ANY WAY DETRIMENTAL TO THE INTERESTS OF PANDUIT CORP.

PANDUIT P/N	WEIGHT
DCF3	.037 lbs (16.78 g)



NOTES:

1. SEE CURRENT CATALOG FOR ADDITIONAL PART SUFFIXES TO INDICATE COLOR AND OR PACKAGE QUANTITY.
2. THE DCF5 FITTING IS USED WITH LD3 AND LDP3 RACEWAYS.
3. DIMENSIONS IN PARENTHESIS ARE IN METRIC.



CAD FILENAME/LAYERS D36725CC_DC_DCF3_00E.PRT

REV	DATE	BY	CHK	DESCRIPTION	ECN	R	CUST	SUP
4	01-20-05	JBN	RMHI	D. REVISED WEIGHT OF THE PART	36725-10	RGRO	RGRO	
3	03-08-04	JHEP	RGRO	C. REMOVED CD3 FROM NOTE 2	36725-10	RGRO	RGRO	
2	07-02-02	JHNUR	RMHI	B. REVISED MATERIAL IN DRAWING TITLE BLOCK.	36725-10	RGRO	RGRO	
1	06-18-99	DW	HIW	A. CORRECTED DIMENSION WAS 2.25(57.0).	36725-10	HIW	HIW	
R	05-25-99	DW	HIW	RELEASED TO PRODUCTION	36725-10	HIW	HIW	

PANDUIT CORP. TINLEY PARK, ILLINOIS	
LD3 DROP CEILING FITTING (DCF3) CUSTOMER DRAWING	
UNLESS OTHERWISE SPECIFIED, DIMENSIONAL TOLERANCES ARE: (.X) ± (.XXX) ± (.XX) ± .03 (.8) ANGLES ±	UNLESS OTHERWISE SPECIFIED, ALL DIMENSIONS ARE GIVEN IN INCHES, THIRD ANGLE PROJECTION.
DRAWN BY DW	MAT'L: ABS
DATE 05-21-99	SCALE NONE
CHK'D HIW	DRAWING NO. 36725-10
	DWG SIZE A